



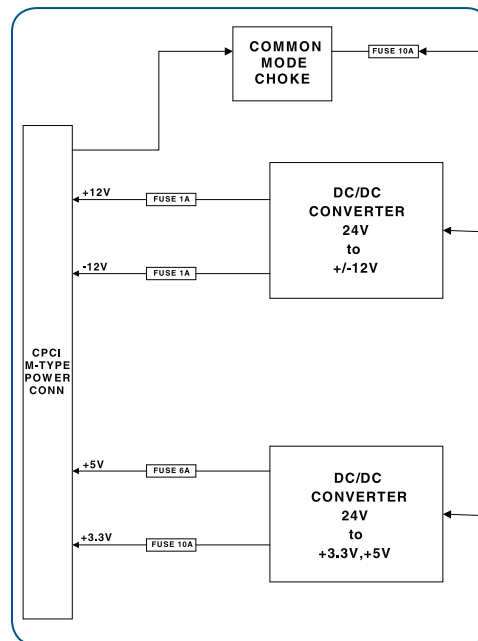
PWRS-0720

3U POWER SUPPLY CARD

This power supply provides all necessary power for a 3U CompactPCI® system. The board provides power signals through the M-type connector to the cPCI backplane.

Features & Benefits

- 85 Watts
- 24 VDC input
- Single slot
- M-type connector
- LED indication



Block Diagram

| | A | B | C |
|----|--------------|---------|----------|
| 2 | Reserved | | |
| 5 | Reserved | | |
| 8 | Reserved | | |
| 11 | CHASSIS GND | | |
| 13 | Spare | +3.3VDC | Reserved |
| 14 | Reserved | +3.3VDC | Reserved |
| 15 | Reserved | +3.3VDC | Reserved |
| 16 | Sense 5V COM | +3.3VDC | +3.3VDC |
| 17 | Sense +5VDC | +3.3VDC | +3.3VDC |
| 18 | +3.3VDC | +3.3VDC | +3.3VDC |
| 19 | +12VDC | +12VDC | +12VDC |
| 20 | -12VDC | -12VDC | -12VDC |
| 22 | +5VDC | | |
| 25 | 5V COM | | |
| 28 | INPUT +24V | | |
| 31 | INPUT 24COM | | |

M-type Connector Pinouts



Specifications and Ordering Information

Physical

| | |
|----------------|---|
| PCB Dimensions | 100mm (3.9370") Height x 160mm (6.2992") Depth x 1.6mm (0.0629") Thickness |
| Form Factor | Plug in Eurocard, 3U Height, 8HP Width (1 slot), IEEE (1101.1, 101.10 and P1101.11) |
| Rear Connector | M-type Connector |
| Front Panel | 128.5mm Height x 20.32mm Depth x 2.5mm Thickness |
| Weight | 300g (0.66lb) |
| Compliance | PICMG 2.0 R 2.1 |

Environmental

| | |
|-----------------------|----------------------|
| Operating Temperature | 0 to 70°C |
| Storage | -40 to +85°C |
| Humidity | 5-95% non-condensing |

Ripple Noise (with 90% load)

| | |
|------|--------------------------------|
| 3.3V | Max 45mVp-p @ 25 MHz, 8mV RMS |
| 5V | Max 44mVp-p @ 25 MHz, 10mV RMS |
| ±12V | Max 50mVp-p @ 25 MHz, 12mV RMS |

Protection Circuitry

| | |
|-------------------------------------|--|
| In Rush Current on Power Up ±12V | Common mode EMI suppression inductor Fusing: normal blow D.C. 1A; Fuse in socket for easy removal Over current: 0.996A Over voltage: works at 13.8V ~ 16.8V |
| +5V | Fusing: normal blow D.C. 6A; Fuse in socket for easy removal Output current limit: 19A ~ 22A Over voltage: works at 5.85V ~ 6.35V Over temperature limiting (TYP) Tc = 115°C |
| +3.3V | Fusing: normal blow D.C. 10A; Fuse in socket for easy removal Output current limit: 12.6A ~ 15A Over voltage: works at 3.8V ~ 4.3V Over temperature limiting (TYP) Tc = 115°C |
| +24V (Input power) | Fusing: normal blow D.C. 10A; Fuse in socket for easy removal |

Indicators and Fuses

| | |
|------------------------|--|
| Front Panel Indicators | 6 LEDs; 24V Input Power; 3.3V output; 5V output; +12V output; -12V output; BIT test (for future use) |
| On-Board Fuses | F1: 24V in 10A; F2: +12V out 1A; F3: -12V out 1A; F4: +5V out 6A; F5: +3.3V out 7.5A |

Ordering Code Example:

| | |
|-----------------------|------------|
| Power Supply Card, 3U | AS00720-02 |
|-----------------------|------------|



MKS Instruments, Inc. Global Headquarters

2 Tech Drive, Suite 201
Andover, MA 01810
Tel: 978.645.5500
Tel: 800.227.8766 (in USA)
Web: www.mksinst.com

MKS Instruments, Inc. Automation & Control Solutions

1321 Rutherford Lane, Suite 200
Austin, TX 78753
Tel: 512.719.8000