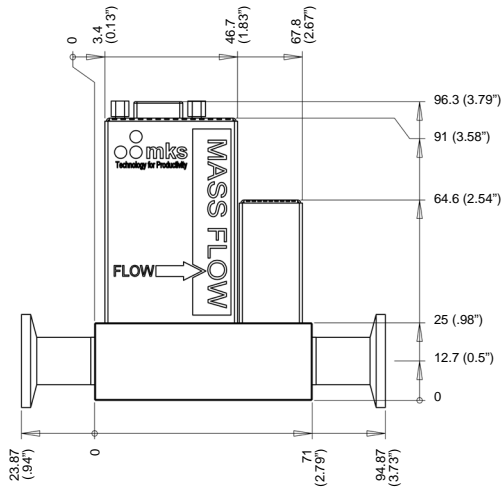


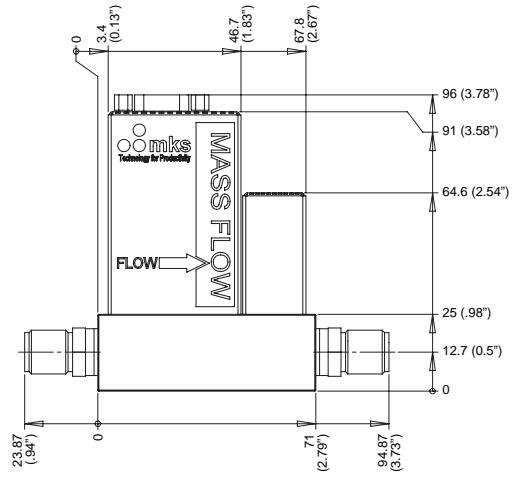
## Dimensional Drawing —

Note: Unless otherwise specified, dimensions are nominal values in mm.

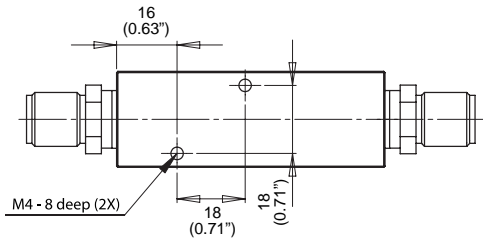
Front View MF1 (DN 16 KF)



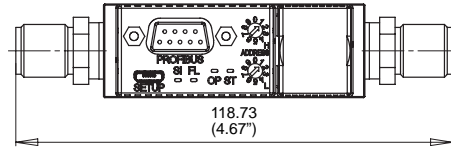
Front View MF1 (4 VCR male)



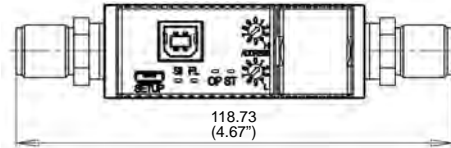
Bottom View MF1 (4 VCR male)



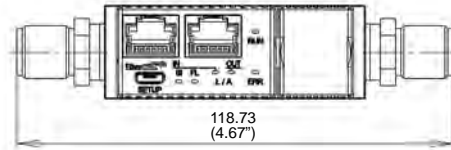
Top View MF1 (Process Version, 4 VCR male)



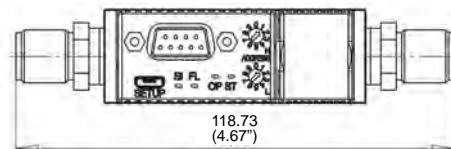
Top View MF1 (USB Version, 4 VCR male)



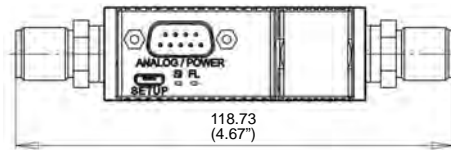
Top View MF1 (EtherCAT Version, 4 VCR male)



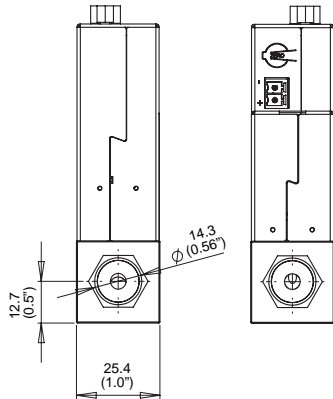
Top View MF1 (Modbus Process Version, 4 VCR male)



Top View MF1 (Analog IF Version, 4 VCR male)



Side Views MF1  
(Profibus, 4 VCR male, inlet and outlet side)



### Fitting (compatible to)

4VCR male  
4VCO male  
1/4" Swagelok\*  
6 mm Swagelok\*  
1/8" Swagelok\*  
DN 16 KF

### Dimension L in mm

118.74 ± 1  
110.6 ± 1  
107.6 ± 1  
107.6 ± 1  
107.6 ± 1  
118.74 ± 1

\*without nuts and ferrules