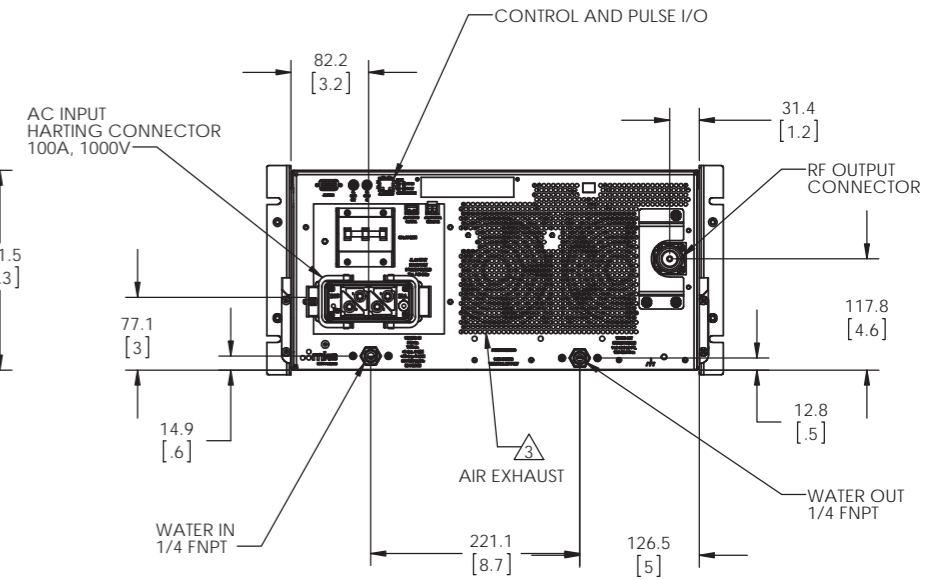
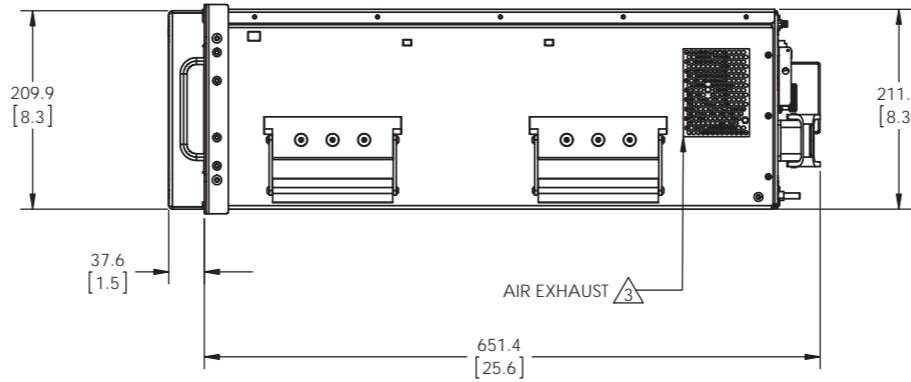
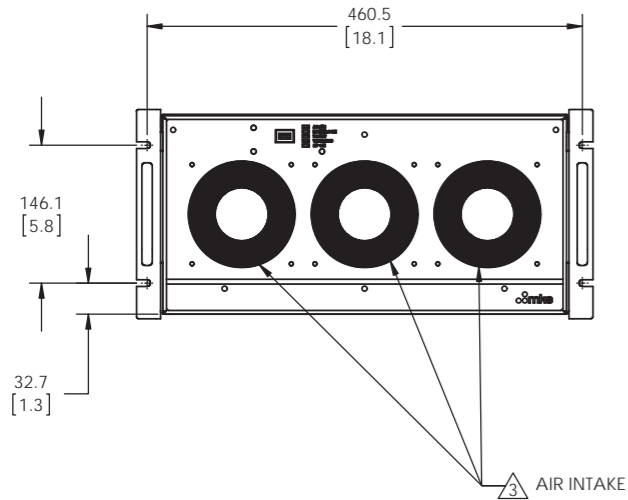
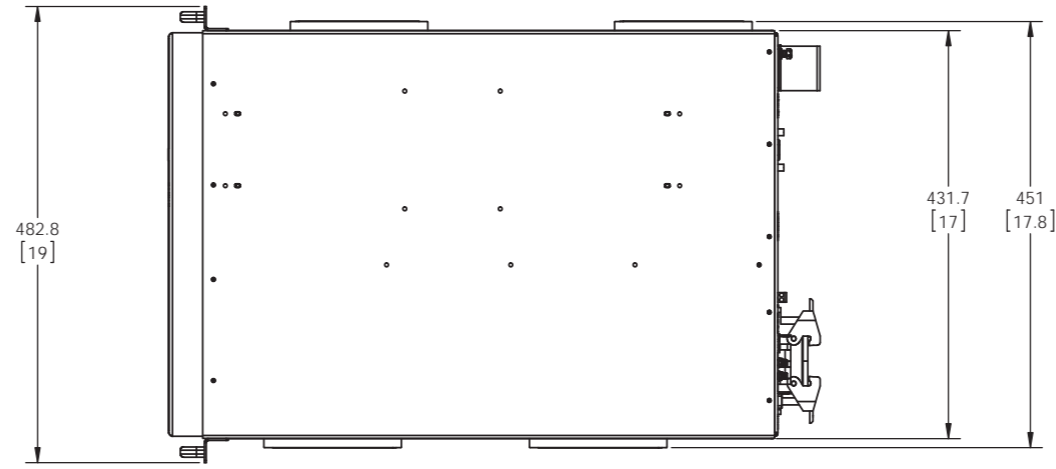
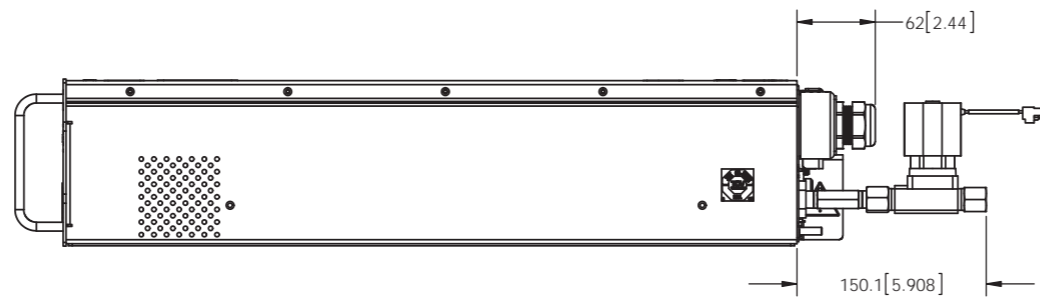
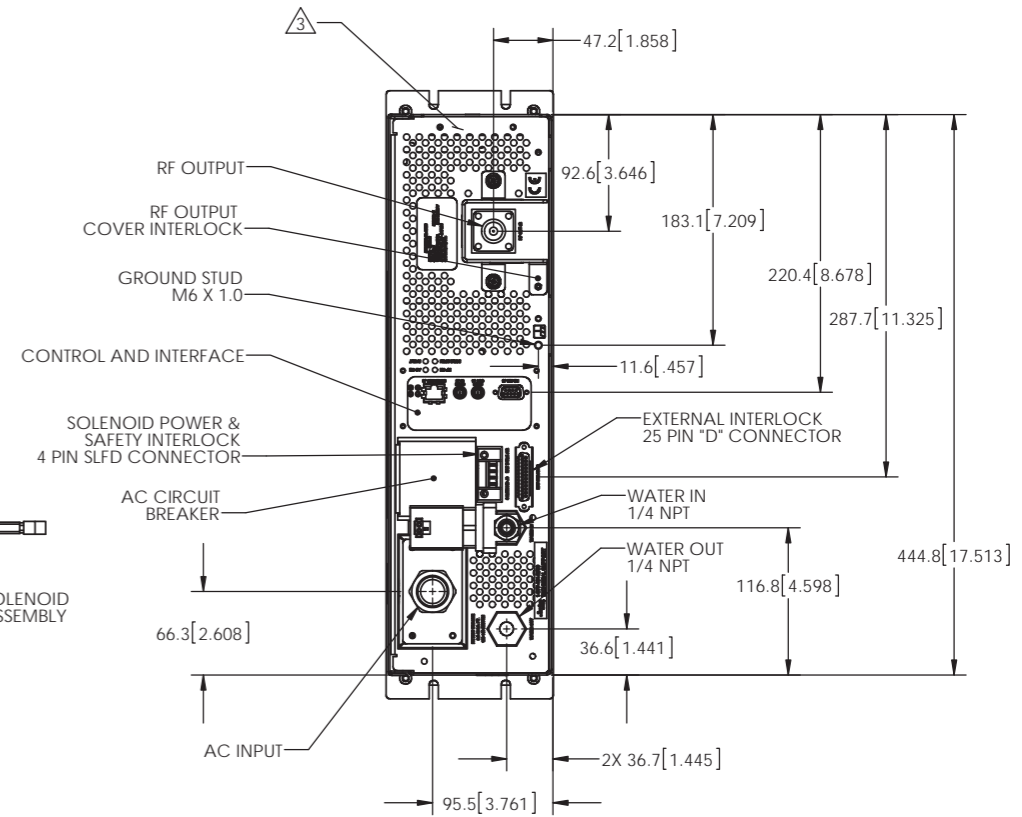
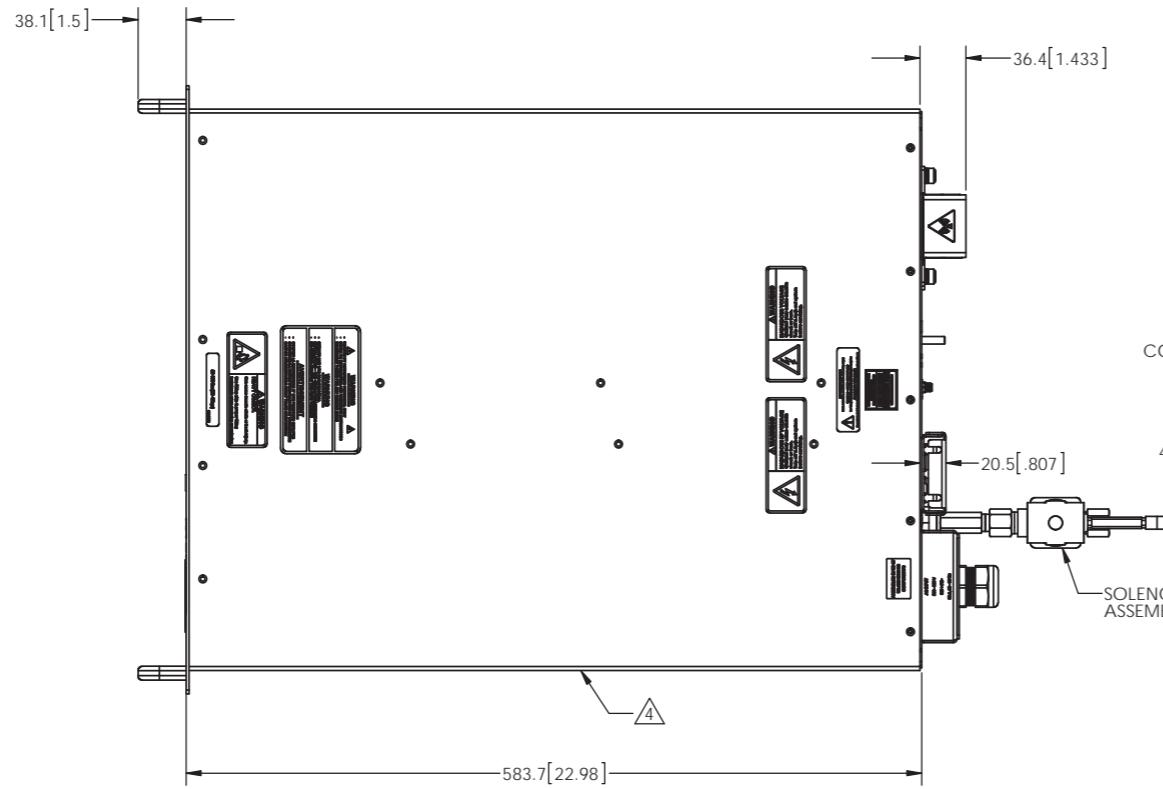
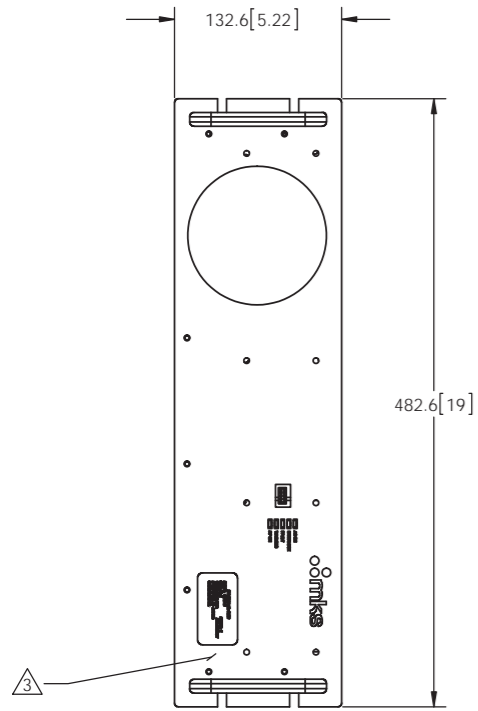
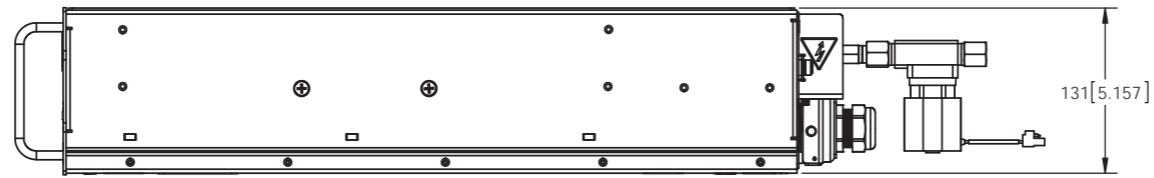


Dimensional Drawing — KEINOS C11002  
 Note: Unless otherwise specified, dimensions are nominal value in millimeters (inches referenced).





Dimensional Drawing — KEINOS C5002  
 Note: Unless otherwise specified, dimensions are nominal value in millimeters (inches referenced).