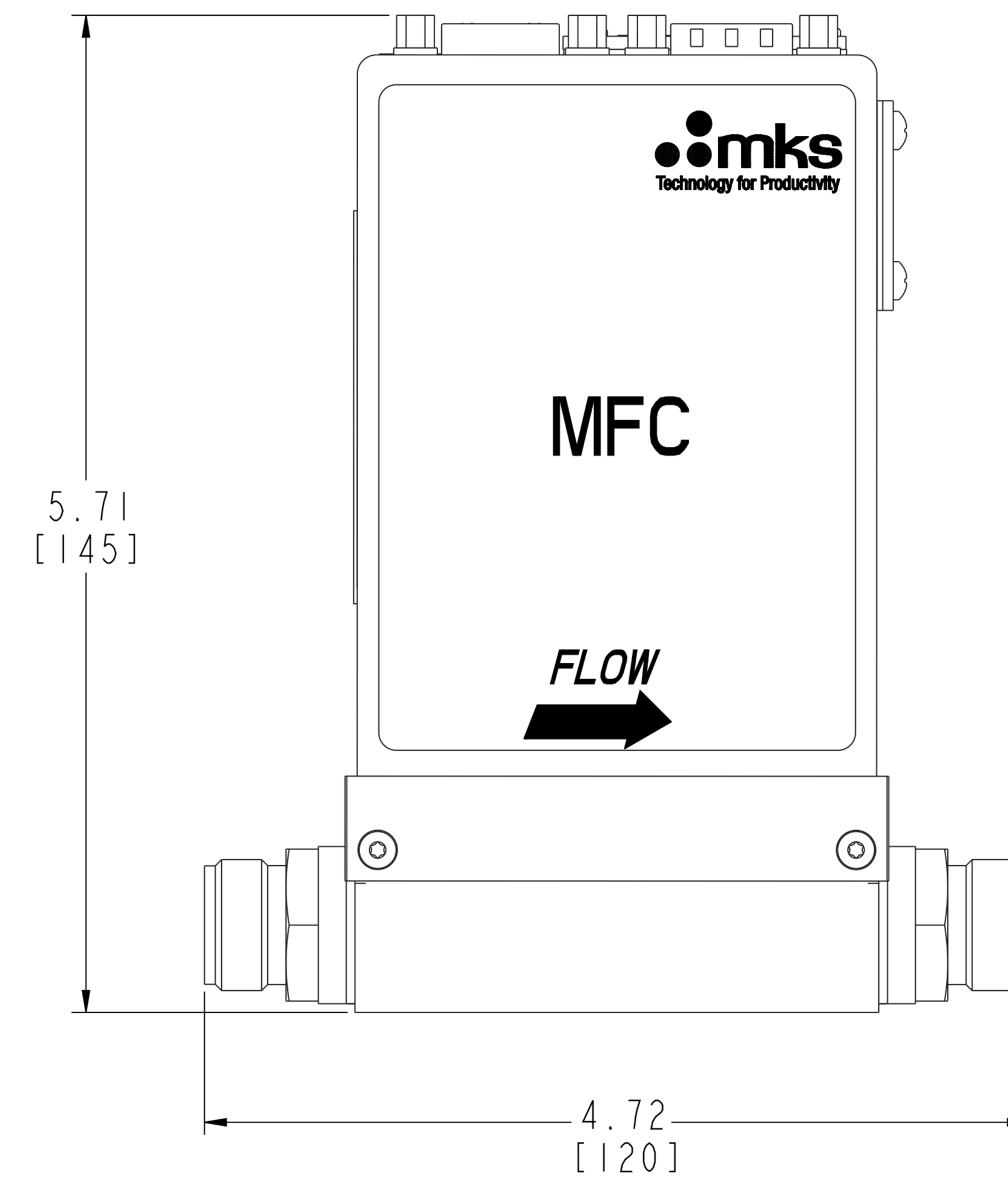
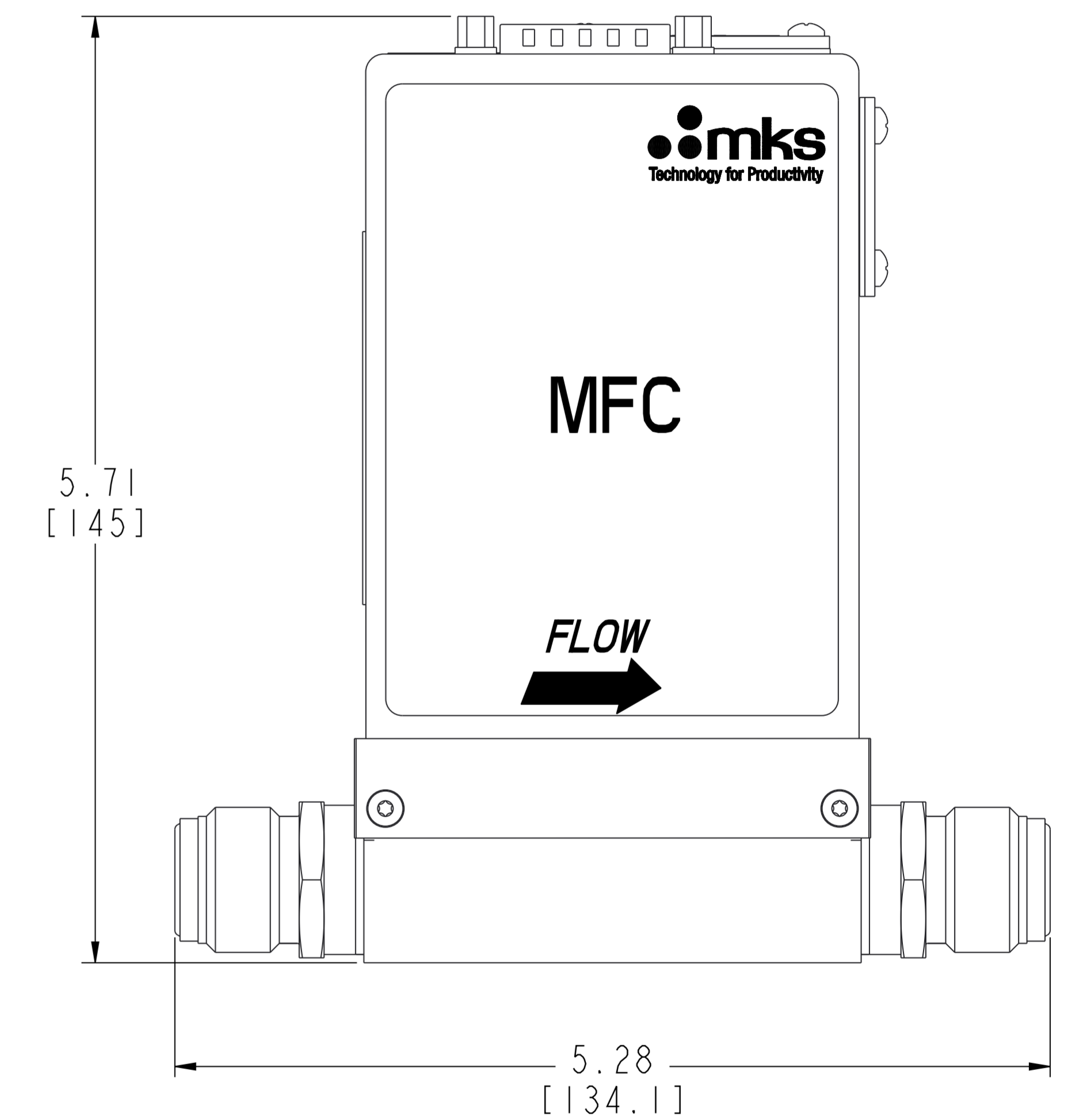


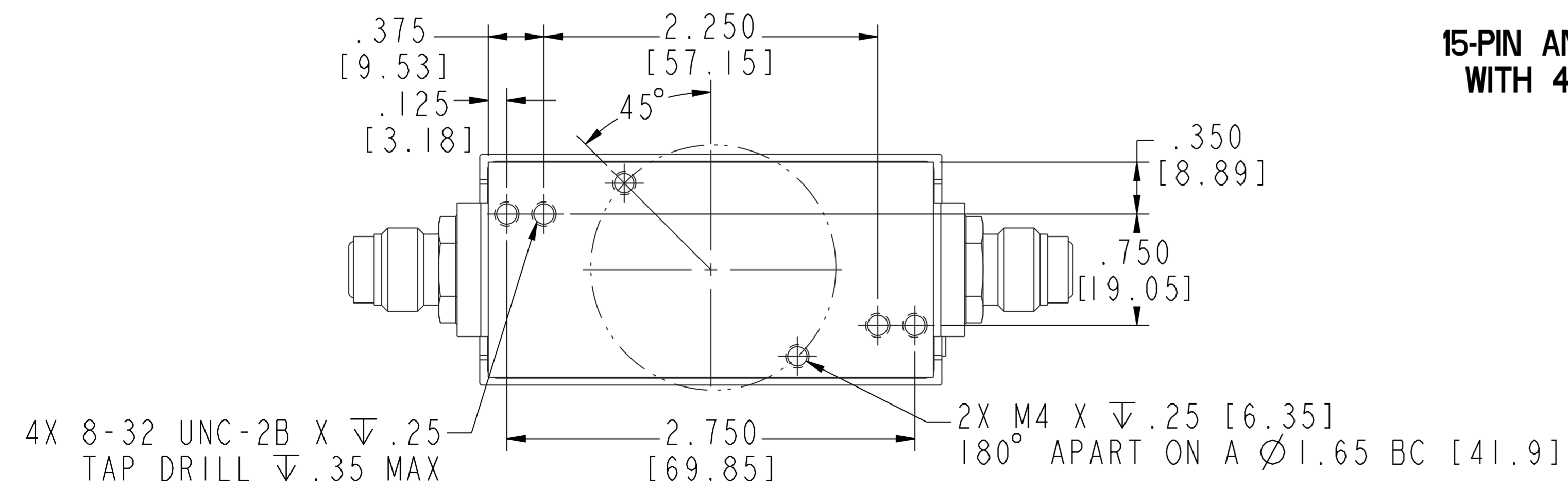
15-PIN ANALOG VERSION WITH 4VCR FITTINGS



PROFIBUS VERSION SWAGELOK 1/2" TUBE FITTING



4-20mA VERSION SWAGELOK 8VCR FITTING



Dimensional Drawing —
Note: Unless specified, dimensions are nominal values in inches (mm referenced).