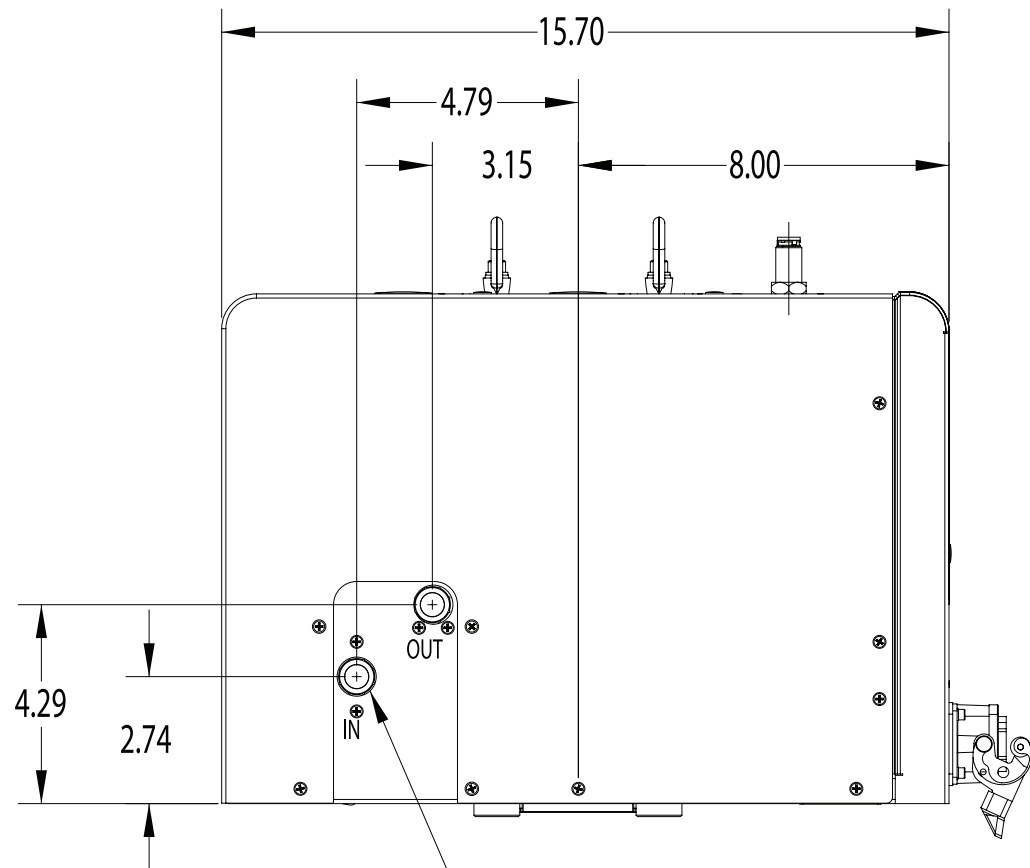
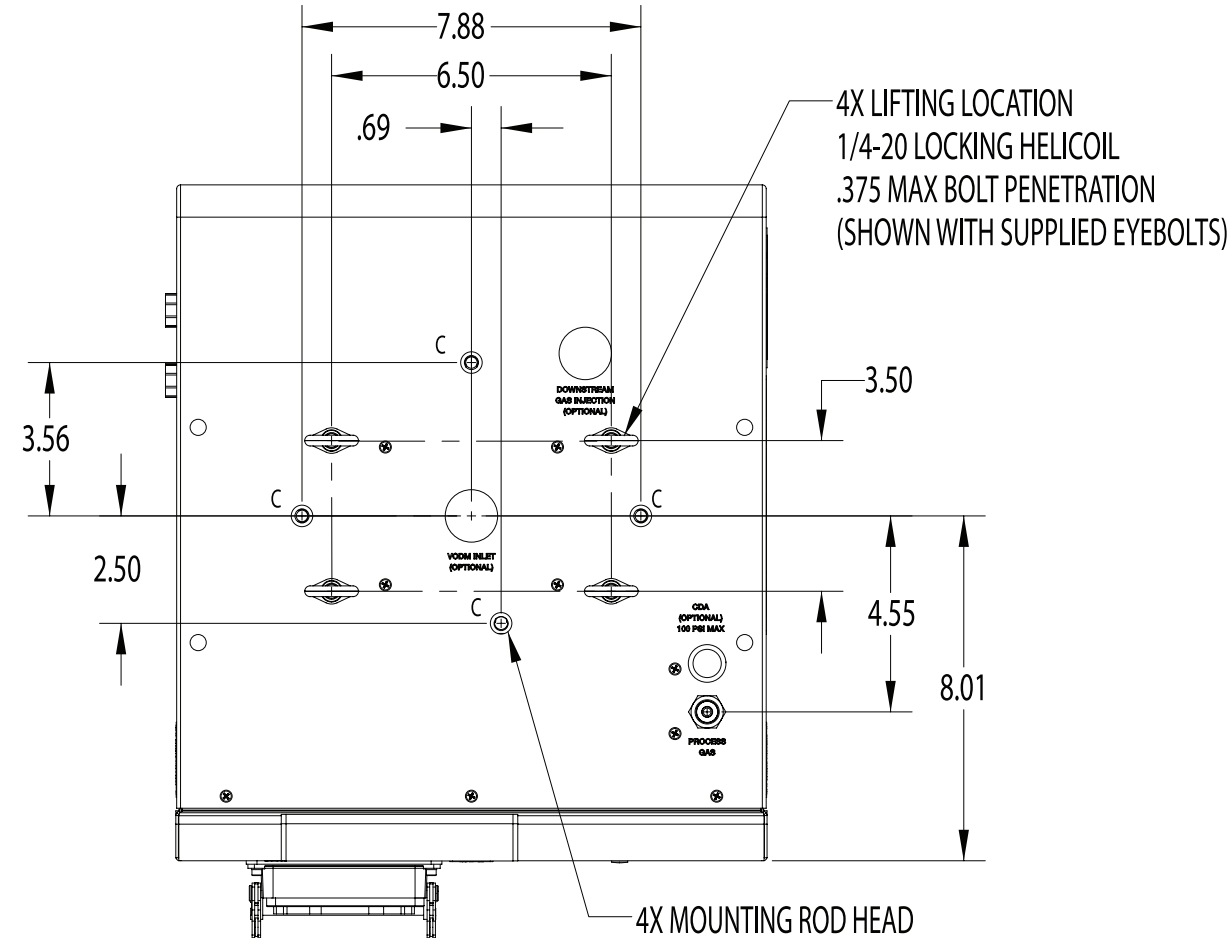


Dimensional Drawing —

Note: Unless otherwise specified, dimensions are nominal values in inches.

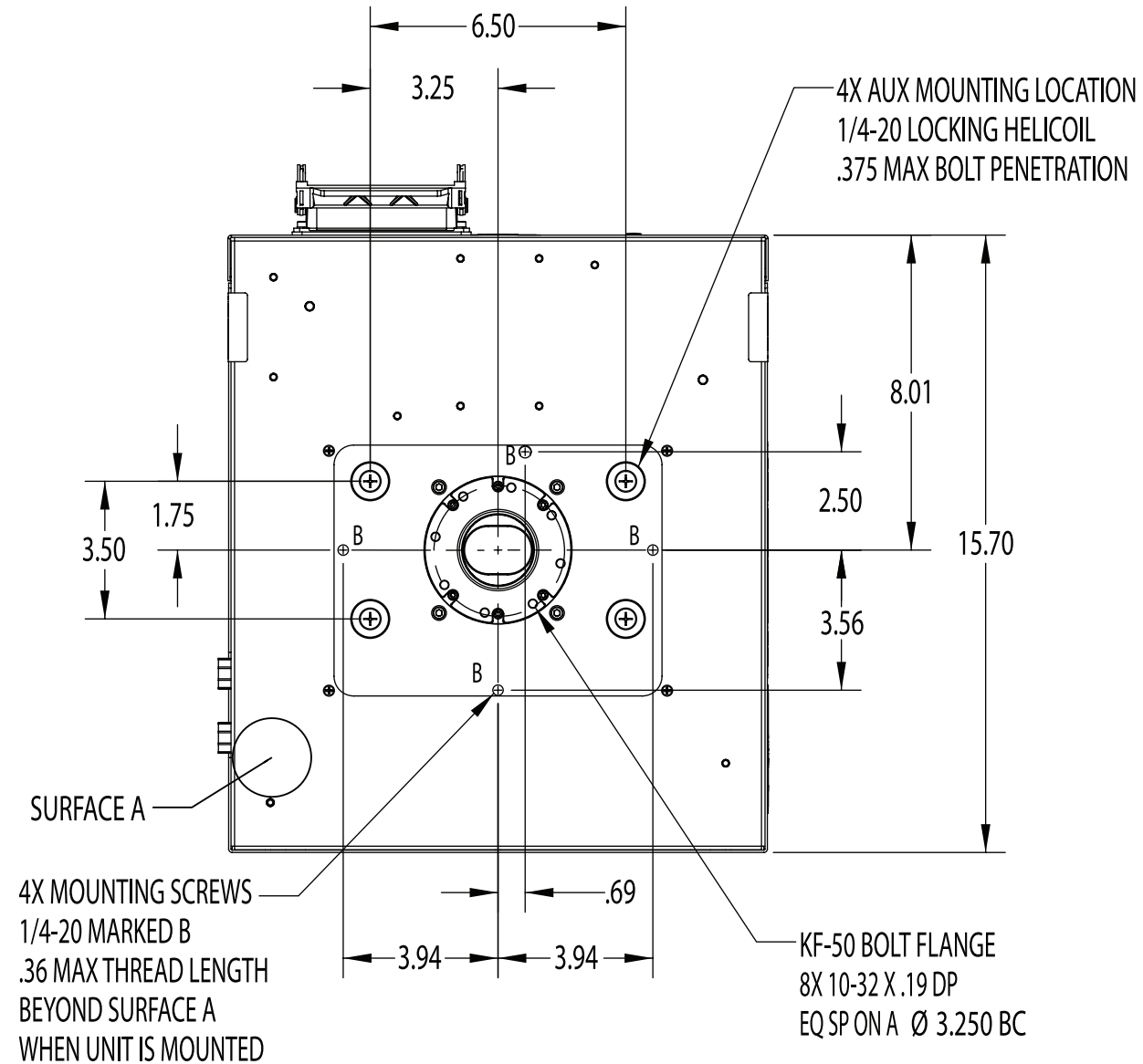


COOLING WATER CONNECTION
2X 9/16-18 SAE/MS THREADS
(E.G. SWAGELOK SS-400-1-6ST,
SS-600-2-6ST OR SS-600-5-6ST)



4X LIFTING LOCATION
1/4-20 LOCKING HELICOIL
.375 MAX BOLT PENETRATION
(SHOWN WITH SUPPLIED EYEBOLTS)

4X MOUNTING ROD HEAD
MARKED C
USE 1/4" SOCKET DRIVER
TO TIGHTEN SCREWS



4X MOUNTING SCREWS
1/4-20 MARKED B
.36 MAX THREAD LENGTH
BEYOND SURFACE A
WHEN UNIT IS MOUNTED