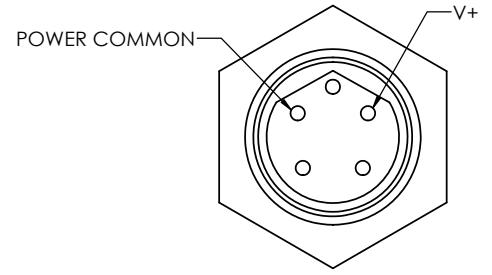
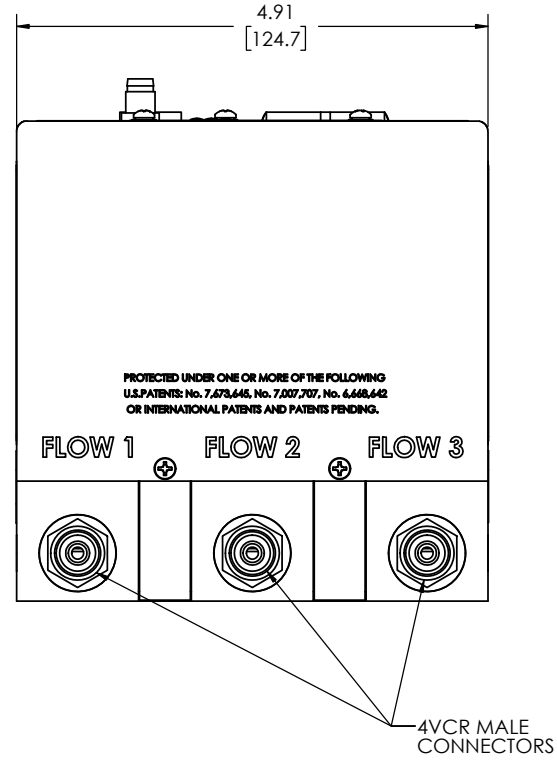
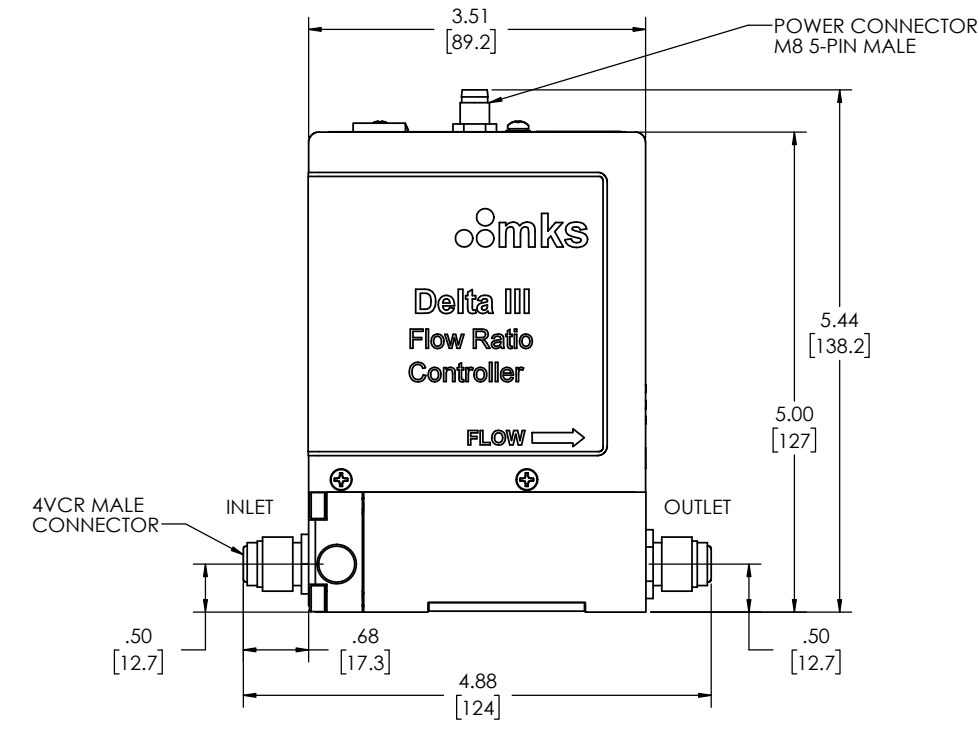
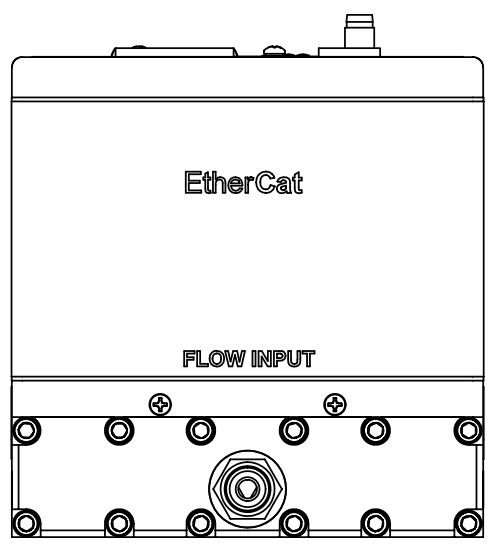
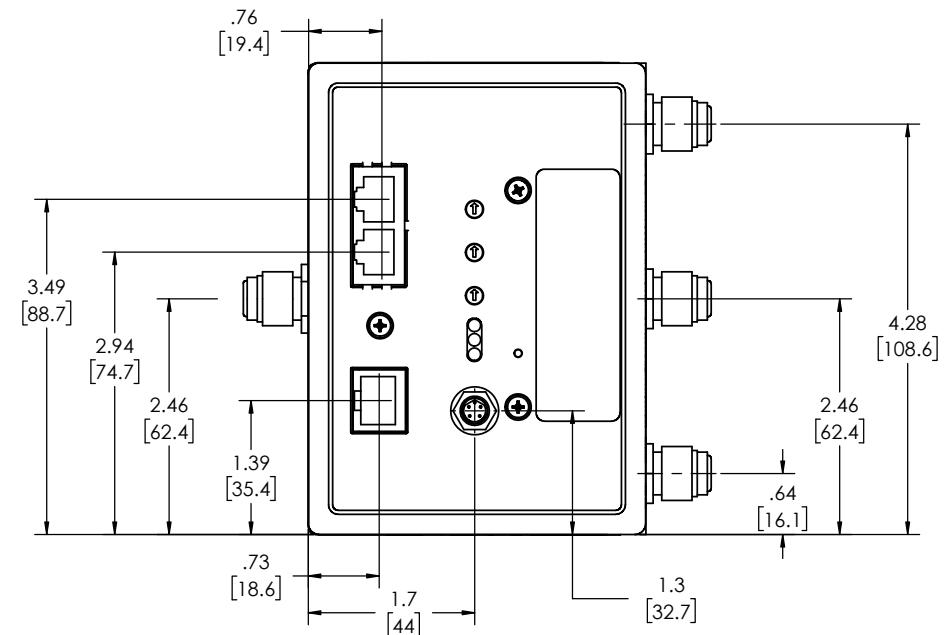


RoHS COMPLIANT

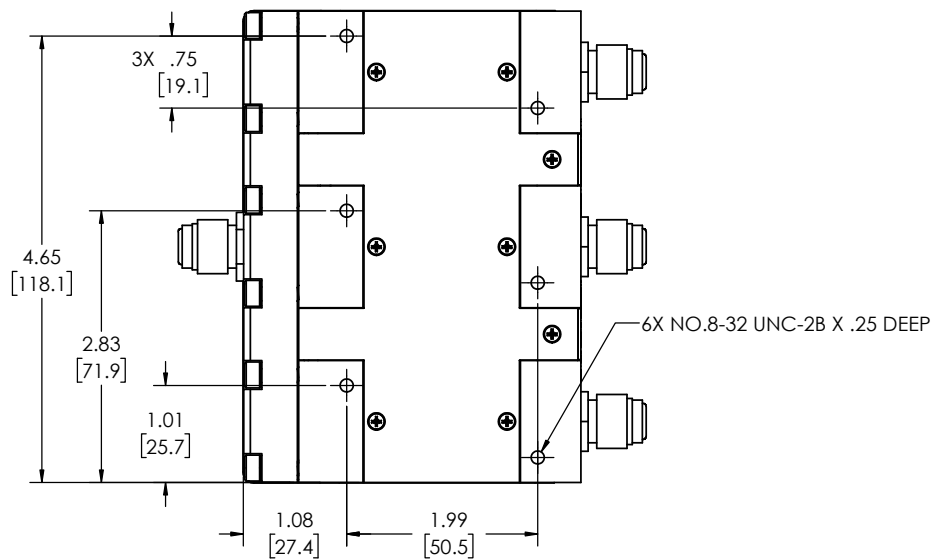
REVISIONS					
REV	DESCRIPTION	EO MVI-023022	BY/CHK'D	APP'D	DATE
A	RELEASE TO PRODUCTION	EO MVI-023022	MC		12-14-17
B	ADDED DEVICENET CONFIGURATION PER ECO-40067		AK		1/7/21



ETHERCAT M8 POWER CONNECTOR PINOUT



PROTECTED UNDER ONE OR MORE OF THE FOLLOWING U.S. PATENTS: No. 7,673,645, No. 7,007,707, No. 6,648,642 OR INTERNATIONAL PATENTS AND PATENTS PENDING.



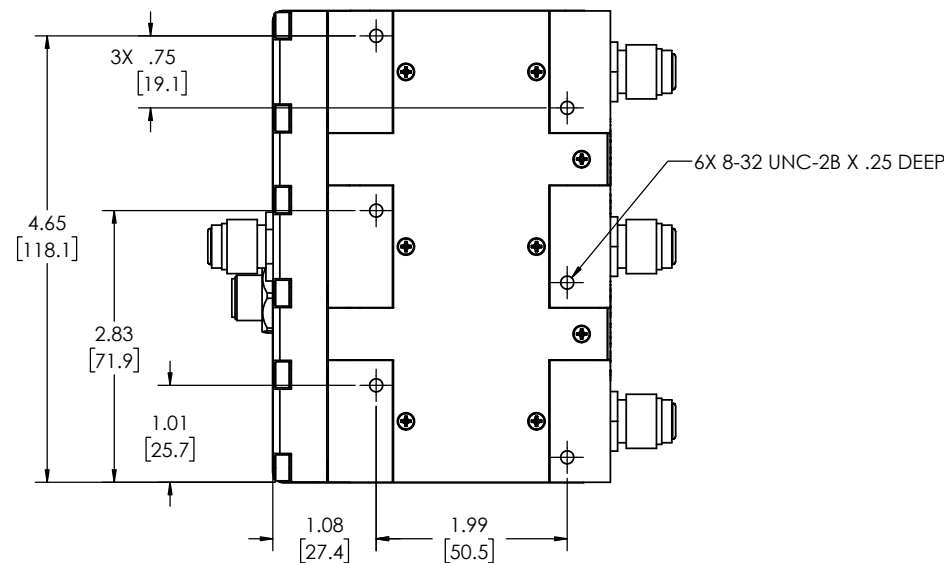
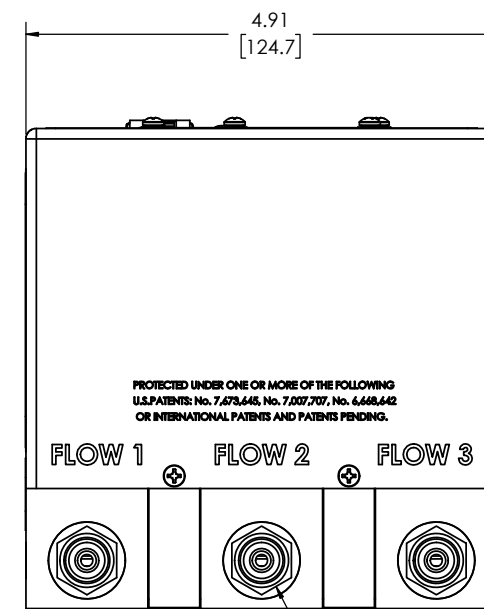
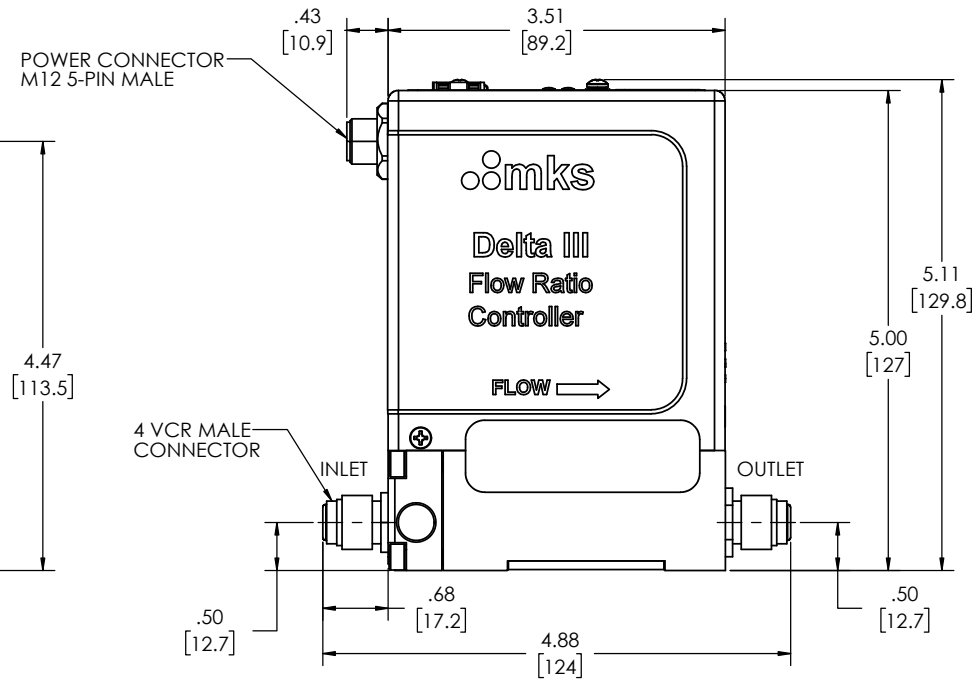
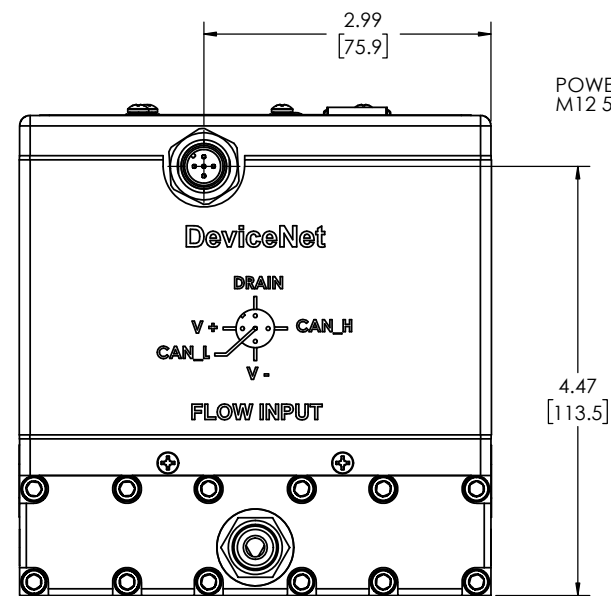
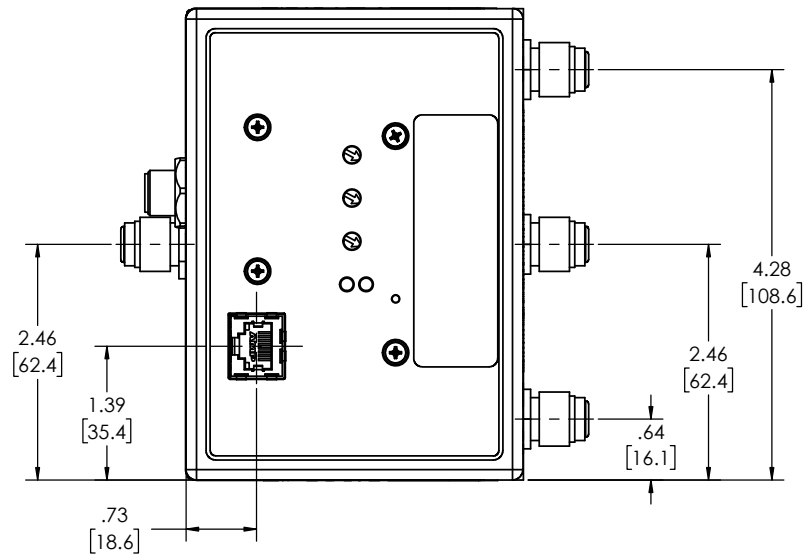
ETHERCAT SHOW

NOTES:  
1. DIMENSIONS ARE NOMINAL VALUES IN INCHES (MM REFERENCED)

THIS DRAWING GENERATED USING SOLIDWORKS

<b>PROPRIETARY AND CONFIDENTIAL</b>		
THIS DOCUMENT IS THE PROPERTY OF MKS INSTRUMENTS, INC., AND IS FURNISHED ON THE CONDITION THAT IT IS NOT TO BE REPRODUCED OR COPIED, AND IS NOT TO BE USED DIRECTLY OR INDIRECTLY IN THE MAKING OF DRAWINGS, PRINTS, APPARATUS, OR PARTS THEREOF, WITHOUT WRITTEN AUTHORIZATION. THE ACCEPTANCE OF THIS DOCUMENT WILL BE CONSTRUED AS ACCEPTANCE OF THE FOREGOING CONDITIONS, AND AS ADMISSION OF THE EXCLUSIVE OWNERSHIP BY MKS INSTRUMENTS, INC. OF THIS DOCUMENT.		
UNLESS OTHERWISE SPECIFIED, DIMENSIONS ARE IN INCHES & TOLERANCES ARE:	APPROVALS	DATE
DECIMALS ± 0.005	DRW: M. COCKROFT	3-20-17
FRACTIONS ± 0.001	MFG:	
ANGLES ± 0.5°	ENG:	
DO NOT SCALE DRAWING	THIRD ANGLE PROJECTION	
INTERPRET DIM AND TOL PER ASME Y14.5M-1994		

<b>MKS, INSTRUMENTS, INC.</b> Six Shattuck Rd, Andover, MA 01810	
<b>OUTLINE DRAWING</b> <b>DLT3B</b>	
TITLE <b>DLT3B</b>	SIZE DWG NO <b>1074752</b>
SCALE: 1:1	SHEET 1 OF 2



PROTECTED UNDER ONE OR MORE OF THE FOLLOWING  
U.S. PATENTS: No. 7,678,645, No. 7,207,707, No. 6,668,642  
OR INTERNATIONAL PATENTS AND PATENTS PENDING.

FLOW 1 FLOW 2 FLOW 3

4 VCR MALE CONNECTORS  
3 PLACES

**DEVICENET SHOWN**

MKS, INSTRUMENTS, INC. Six Shattuck Rd, Andover, MA 01810		
TITLE <b>OUTLINE DRAWING DLT3B</b>		
SIZE <b>D</b>	DWG NO <b>1074752</b>	REV <b>B</b>
SCALE: 1:1 FILE: 1074752_D3_final_assy_outline.SLDDRAWING SHEET 2 OF 2		