

# AG 340 LC

Manual 3 Stub Tuner for Generators up to 10 kW - WR340



The AG 340 LC Manual 3-Stub Tuner is designed for load impedance matching in high power microwave applications. The stub comes with a precision multi-turn dial mechanism for tuning adjustment. This provides a wide range of tuning capability for a microwave system of up to 10 kW of forward power at 2450 MHz.



## Product Features

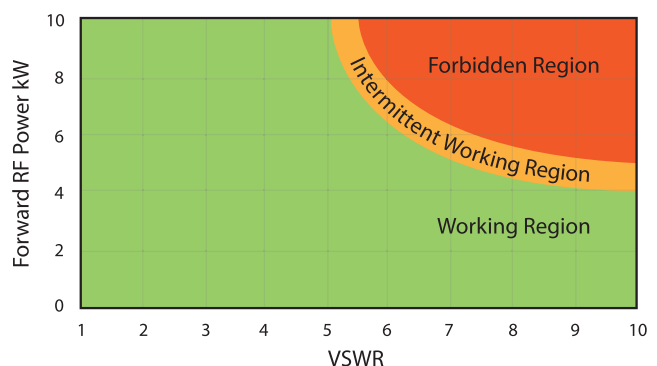
- Reduce VSWR for system up to 10 kW microwave power
- High quality and robust design

## Key Benefits

- Improved tuning capabilities under mismatched conditions
- Enhanced cooling for better tuning stability

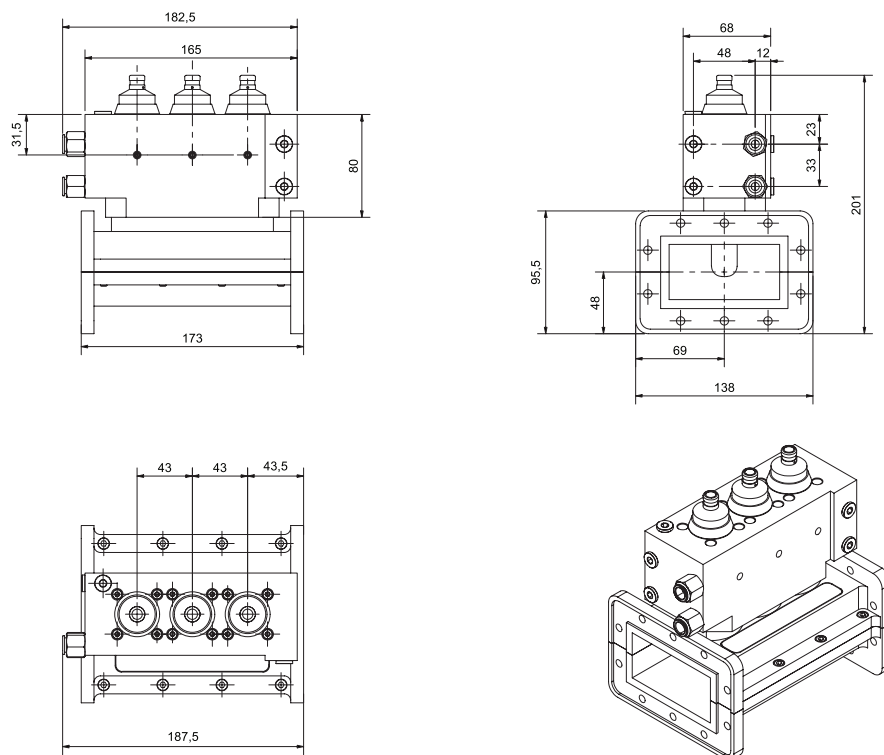
## Specifications

Waveguide Type	WR340
Flange Type	R26 (IEC 153)
Frequency	2450 MHz $\pm$ 50 MHz
Power	CW 10 kW FWD and 5 kW RFL simultaneously (see operating graph)
Max Stub Insertion Length	25 mm
Material	Aluminium (waveguide, cooling jacket, stubs)
Cooling	Water cooled
Water Flow Rate (minimum)	1 liter/minute
Cooling Water Temperature	+15 to +25°C
Max Pressure	5 bar



Operating Graph

## Dimensional Drawing



Unless otherwise specified, dimensions are nominal values in millimeters.

## Ordering Information

Please contact your local MKS office for price and availability information.