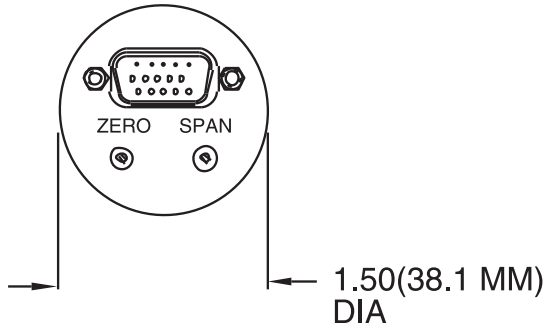


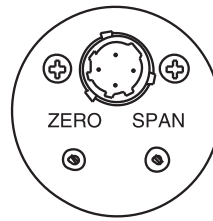
Dimensional Drawing —

Note: Unless otherwise specified, dimensions are nominal values in inches (mm referenced).

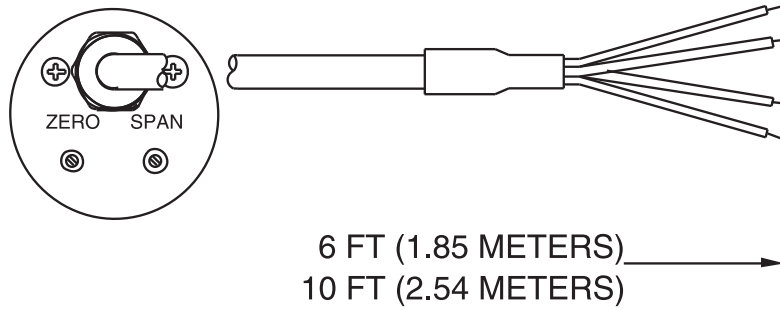
9-PIN TYPE "D"



BENDIX



FLYING LEADS



SINGLE-ENDED

