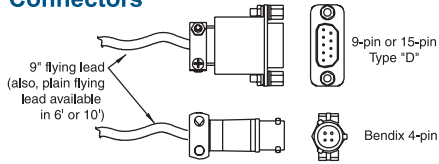


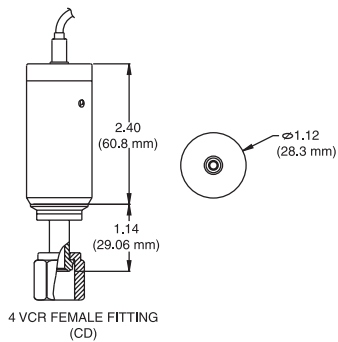
Dimensional Drawing

Type 870 Single-ended

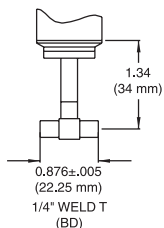
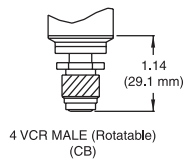
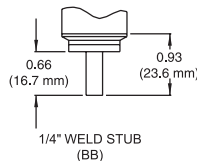
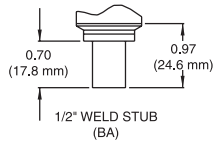
Connectors



Transducers

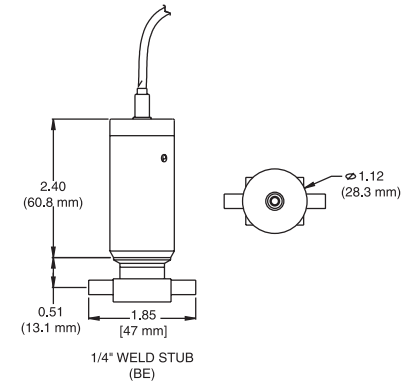
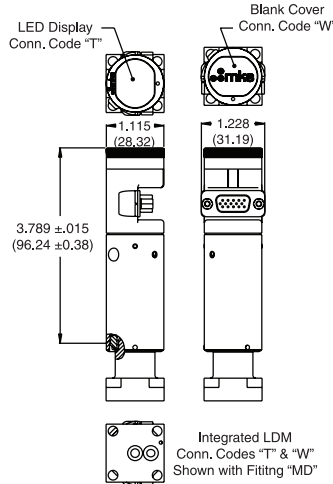
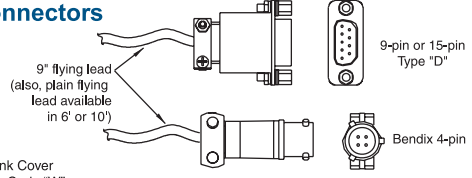


Fittings

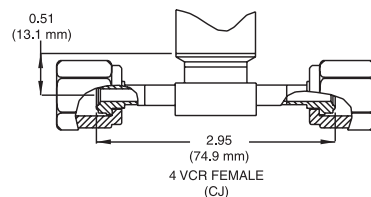
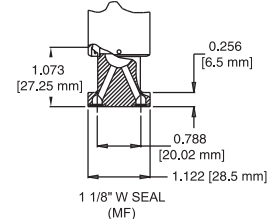
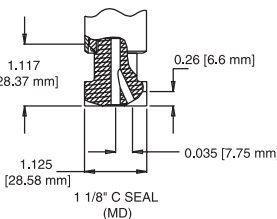
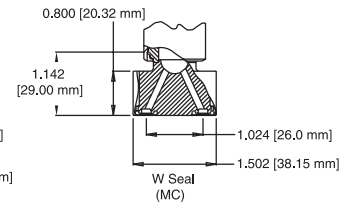
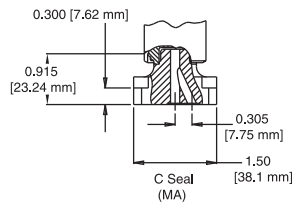
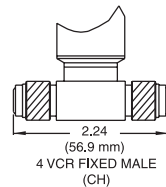
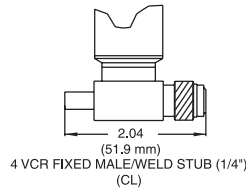
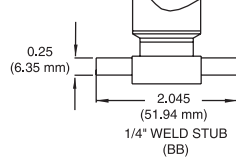


Type 872 Flow-through

Connectors



Fittings



Dimensional Drawing —

Note: Unless otherwise specified, dimensions are nominal values in inches (mm referenced).

