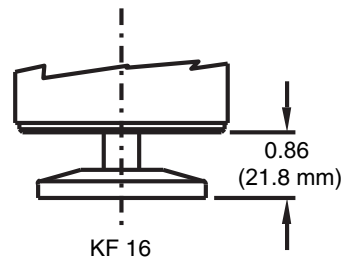
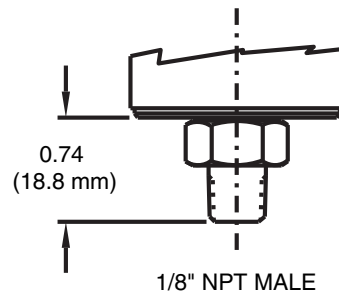
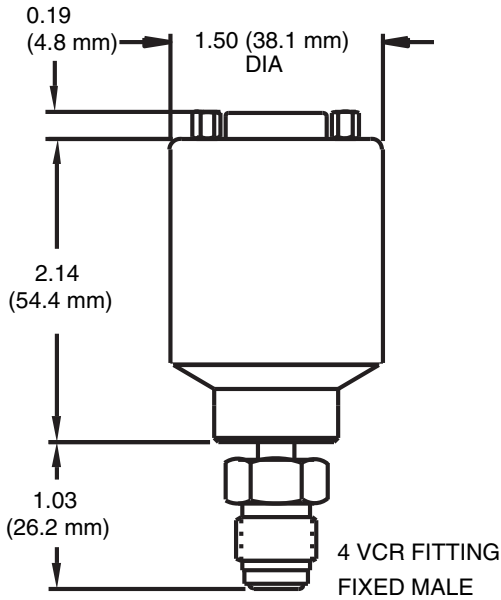
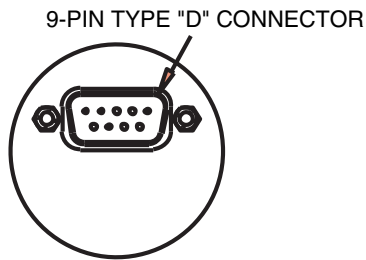
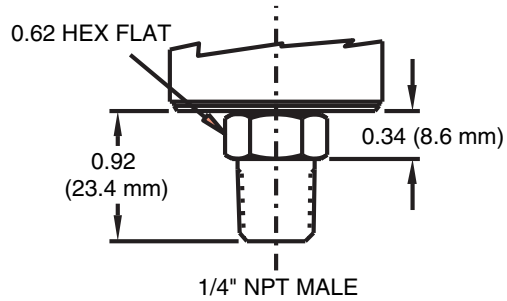
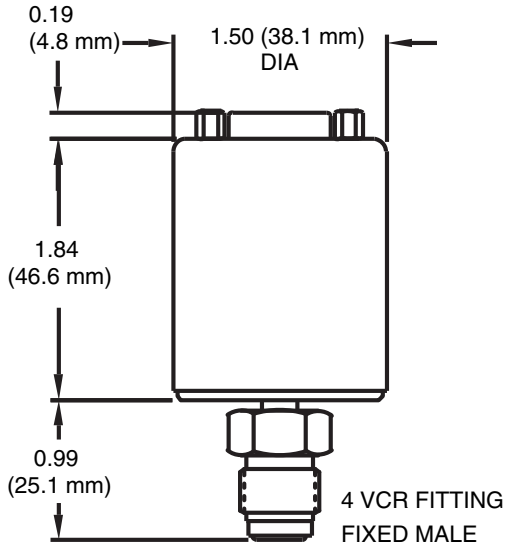


Dimensional Drawing —

Note: Unless otherwise specified, dimensions are nominal values in inches (mm referenced).



OPTIONAL CONNECTOR

